

**NOTE:**  
 CONSULT YOUR CONSTRUCTION MANUAL FOR  
 INSTALLATION OF WALLS, ROOF, FABRIC,  
 LACING, DOME, & PROPER HEIGHTS OF ALL.

27' YURT BUILDING SECTION A-A

SCALE: 1/4" = 1'-0"

SHEET #1

CONC. FOOTING & COL  
 SEE DETAIL 1/S3  
 ALSO SEE SHEETS #7 & #8  
 FOR ALTERNATE FOUNDATION  
 AND DETAILS

SUPPORT POST

DECK SUPPORT BEAMS

DECK JOISTS

2 x 6 TREX DECKING or EQUAL  
 FINISH FLOORING OVER SUBFLR  
 OVER (OPTIONAL 2" RIGID INSUL.)  
 & 2 x 4 FLOOR JOISTS

2 x 4 STUD SHOWN (OPTIONAL)

LATTICE WALL CONSTRUCTION

YURT FABRIC  
 OVER LATTICE FRAME

ROOF FRAMING  
 2 x 4 RAFTERS TYP  
 (2 x 6 OPTIONAL)

DOME-60" DIA  
 COMPRESSION RING

120°

1/S3

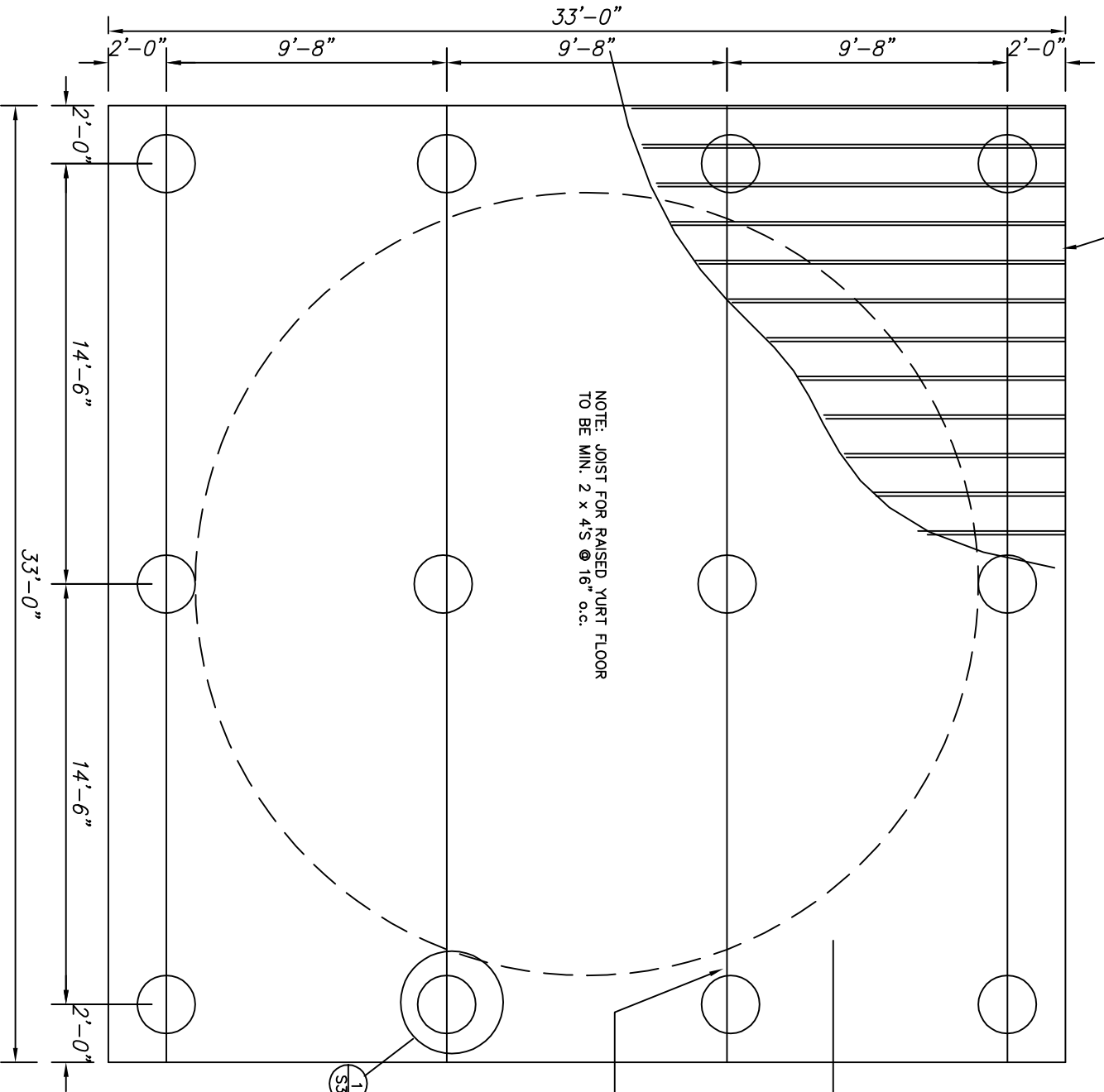
1/S4

1/S5

2/S3

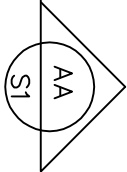
27' YURT FOUNDATION/FLOOR PLAN

SHEET #2



NOTE: JOIST FOR RAISED YURT FLOOR  
TO BE MIN. 2 x 4'S @ 16" o.c.

6 x 14 BEAMS @ 9'-8" o.c.  
DOUG FIR LARCH #2 OR BETTER  
PRESSURE TREATED



NOTE:  
• CONSULT YOUR CONSTRUCTION  
MANUAL FOR INSTALLATION  
OF WALLS, ROOF, FABRIC, LACING,  
DOME, & PROPER HEIGHTS OF ALL.  
• CONSULT YOUR LOCAL  
BUILDING DEPT FOR EXACT  
FROST DEPTH, SIZES OF  
FOOTINGS AND COLUMNS.

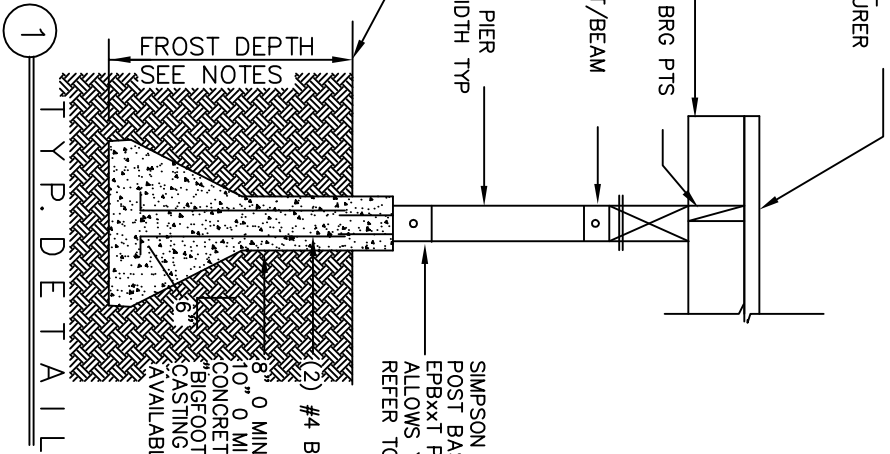
2 x 8 DECK JOISTS @ 16"

TREX DECKING OR EQUAL  
SECURE PER MANUFACTURER  
SPECIFICATIONS

2 x DECK JOISTS  
2 x SOLID BLOCKING @ BRG PTS

SIMPSON PC @ EA POST/BEAM  
CONNECTION

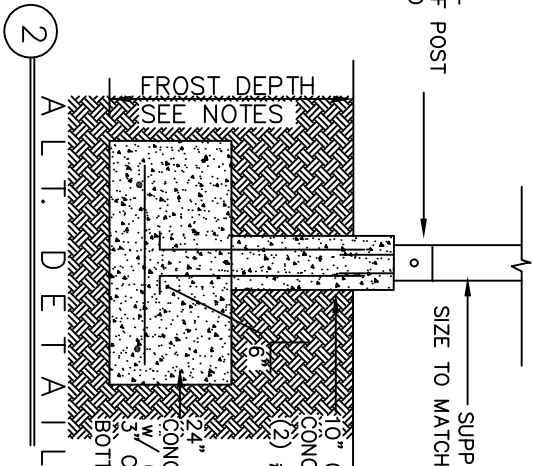
SUPPORT POST @ EA. PIER  
SIZE TO MATCH BEAM WIDTH TYP  
FINISHED GRADE



SIMPSON PB  
POST BASE CONNECTOR - or  
EPBxxxT POST BASE CONNECTOR -  
ALLOWS YOU TO ADJUST HEIGHT OF POST  
REFER TO MFR INSTALLATION INFO

(2) #4 BAR IN CONC  
8" 0 MIN. CONC. COL. CAST IN  
10" 0 MIN. SONOTUBE FORM W/  
CONCRETE FOOTING SEE 28" DIA  
"BIGFOOT" or EQUAL  
CASTING PRODUCT INFO  
AVAILABLE @ LOCAL LUMBER CO.

NOTE:  
• CONSULT YOUR CONSTRUCTION MANUAL FOR  
INSTALLATION OF WALLS, ROOF, FABRIC,  
LAGGING, DOME, & PROPER HEIGHTS OF ALL.  
• CONSULT YOUR LOCAL BUILDING DEPT  
FOR EXACT FROST DEPTH,  
SIZES OF FOOTINGS AND COLUMNS.  
OPTIONAL ALTERNATE FOUNDATION PLANS &  
DETAILS - SEE SHEETS #6 & #7 FOR INFO

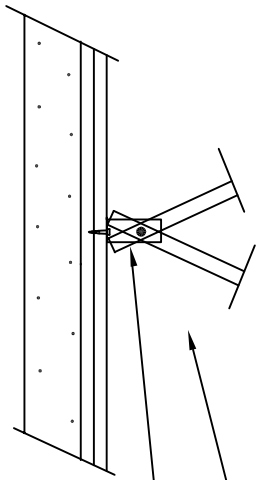


SUPPORT POST TYP  
SIZE TO MATCH BEAM WIDTH TYP

10" 0 SONOTUBE  
CONCRETE FILLED COLUMN  
(2) #4 BAR IN CONC  
24" x 24" x 12" DEEP  
CONC. FOOTINGS  
W/ (2) #4 REBAR EA. WAY  
3" CLR FROM  
BOTTOM & SIDES

TYPICAL FOUNDATION DETAIL

SHEET #3

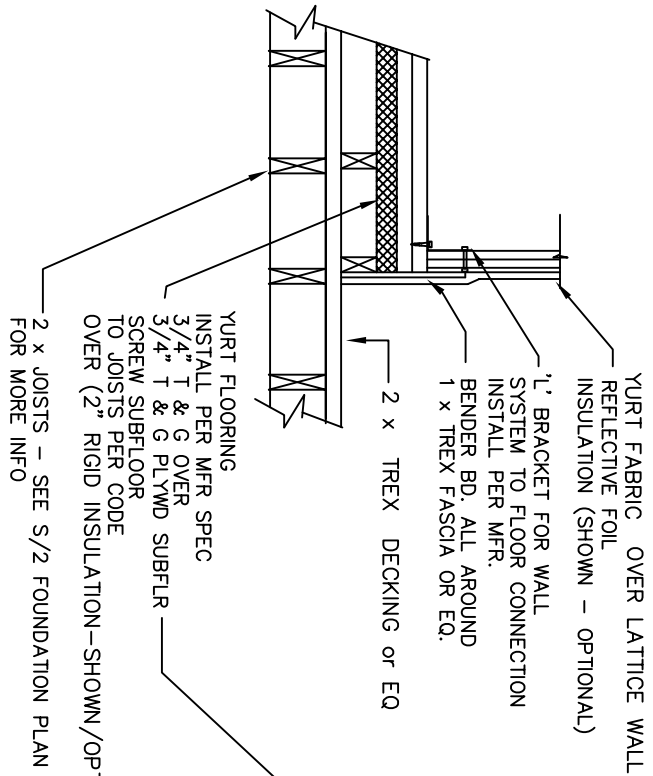


LATTICE WALLS  
W/ FABRIC OVER

ANGLE BRACKETS (PROVIDED) @ EVERY  
OTHER JOINT, APPROX 24" o.c. +/-  
AND AT EA. SIDE OF DOORS  
ATTACHED W/ HARDWARE PER SPECS

**NOTE:**  
CONSULT YOUR CONSTRUCTION MANUAL FOR  
INSTALLATION OF WALLS, ROOF, FABRIC,  
LACING, DOME, & PROPER HEIGHTS OF ALL.

3  
LATTICE ATTACHMENT  
D E T A I L



YURT FABRIC OVER LATTICE WALL  
REFLECTIVE FOIL  
INSULATION (SHOWN - OPTIONAL)

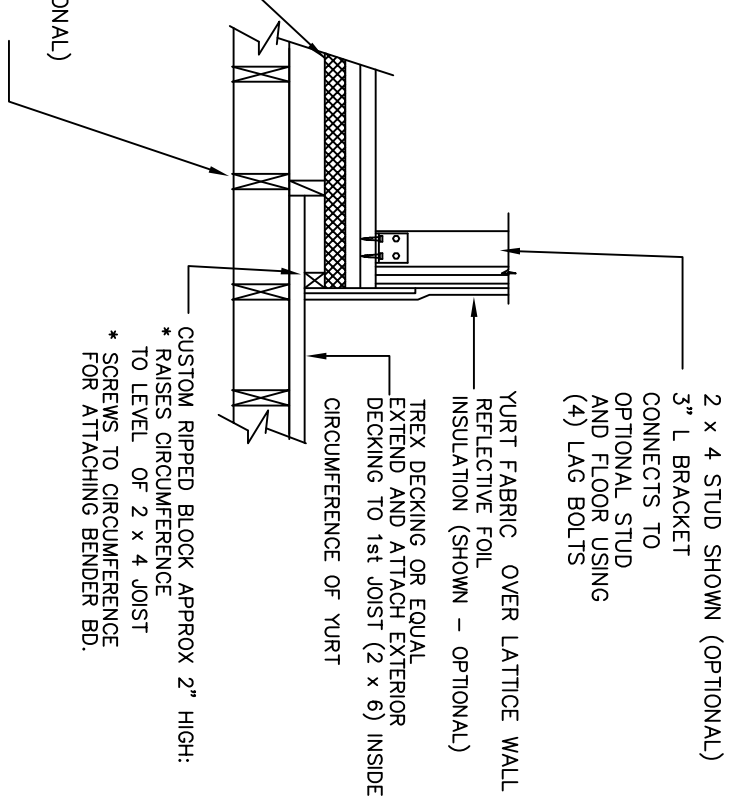
1' BRACKET FOR WALL  
SYSTEM TO FLOOR CONNECTION  
INSTALL PER MFR.

BENDER BD. ALL AROUND  
1 x TREX FASCIA OR EQ.

2 x TREX DECKING or EQ

YURT FLOORING  
INSTALL PER MFR SPEC  
3/4" T & G OVER  
3/4" T & G PLYWD SUBFLR  
SCREW SUBFLOOR  
TO JOISTS PER CODE  
OVER (2" RIGID INSULATION-SHOWN/OPTIONAL)

2 x JOISTS - SEE S/2 FOUNDATION PLAN  
FOR MORE INFO



2 x 4 STUD SHOWN (OPTIONAL)

3" L BRACKET  
CONNECTS TO  
OPTIONAL STUD  
AND FLOOR USING  
(4) LAG BOLTS

YURT FABRIC OVER LATTICE WALL  
REFLECTIVE FOIL  
INSULATION (SHOWN - OPTIONAL)

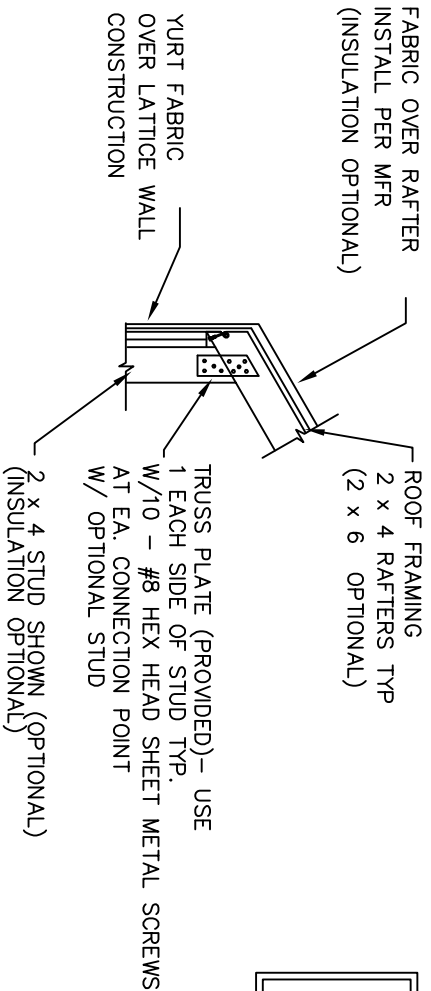
TREX DECKING OR EQUAL  
EXTEND AND ATTACH EXTERIOR  
DECKING TO 1st JOIST (2 x 6) INSIDE  
CIRCUMFERENCE OF YURT

CUSTOM RIPPED BLOCK APPROX 2" HIGH:  
\* RAISES CIRCUMFERENCE  
TO LEVEL OF 2 x 4 JOIST  
\* SCREWS TO CIRCUMFERENCE  
FOR ATTACHING BENDER BD.

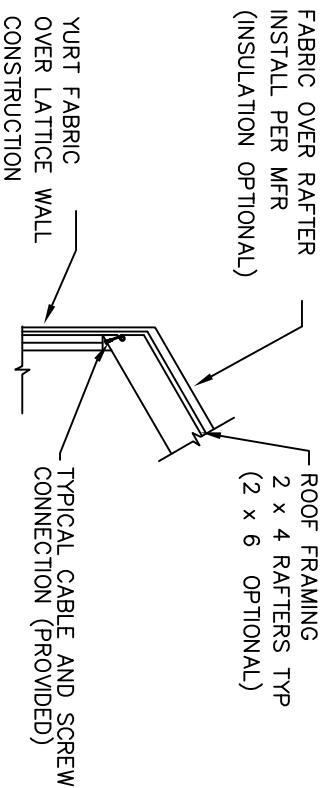
2  
AL T. D E T A I L  
FLOOR/DECK CONNECTION  
ALSO REFER TO DETAIL 1/S6 FOR MORE INFO

1  
T Y P. D E T A I L  
FLOOR/DECK CONNECTION

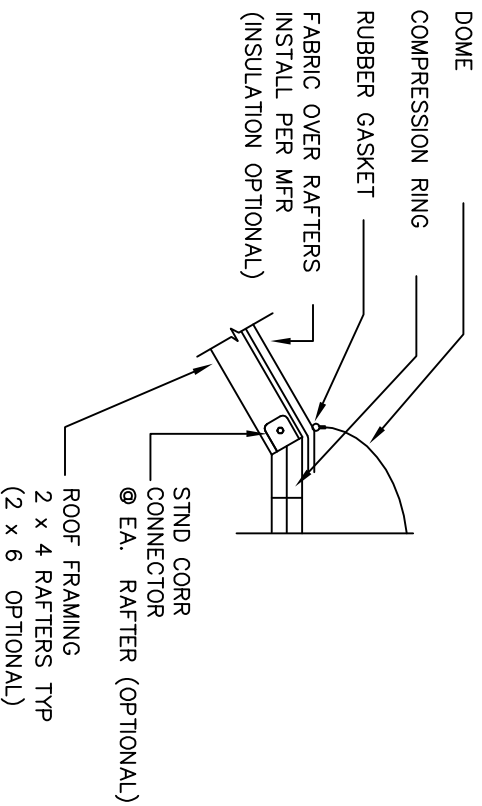
**NOTE:**  
 CONSULT YOUR CONSTRUCTION MANUAL FOR  
 INSTALLATION OF WALLS, ROOF, FABRIC,  
 LACING, DOME, & PROPER HEIGHTS OF ALL.



3  
 ALT. DETAIL  
 WALL/RAFTER CONNECTION  
 (SHOWING OPTIONAL STUD CONNECTION)



1  
 TYP. DETAIL  
 WALL/RAFTER CONNECTION

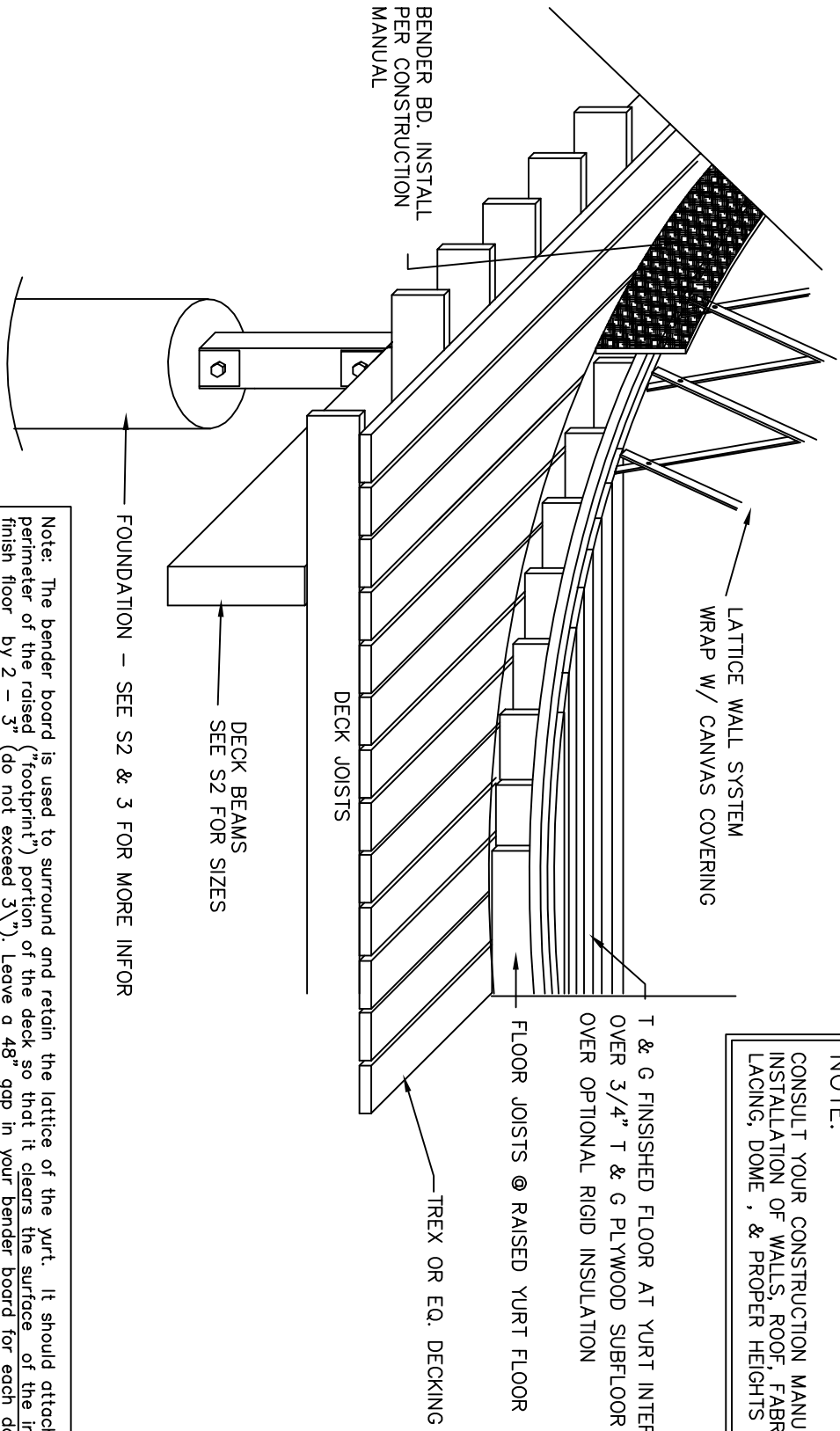


2  
 TYP. DETAIL  
 RAFTER/DOME CONNECTION

YURT RAFTER DETAILS

SHEET #5

BENDER BD. INSTALL PER CONSTRUCTION MANUAL



**NOTE:**  
CONSULT YOUR CONSTRUCTION MANUAL FOR INSTALLATION OF WALLS, ROOF, FABRIC, LACING, DOME , & PROPER HEIGHTS OF ALL.

FOUNDATION — SEE S2 & 3 FOR MORE INFOR

DECK BEAMS  
SEE S2 FOR SIZES

LATTICE WALL SYSTEM  
WRAP W/ CANVAS COVERING

DECK JOISTS

T & G FINISHED FLOOR AT YURT INTERIOR  
OVER 3/4" T & G PLYWOOD SUBFLOOR  
OVER OPTIONAL RIGID INSULATION

FLOOR JOISTS @ RAISED YURT FLOOR

TREX OR EQ. DECKING

**Note:** The bender board is used to surround and retain the lattice of the yurt. It should attach to the perimeter of the raised ("footprint") portion of the deck so that it clears the surface of the interior finish floor by 2 - 3" (do not exceed 3"). Leave a 48" gap in your bender board for each door in your yurt. (56" gap for French doors). For placement of non-symmetrical door call manufacturer.

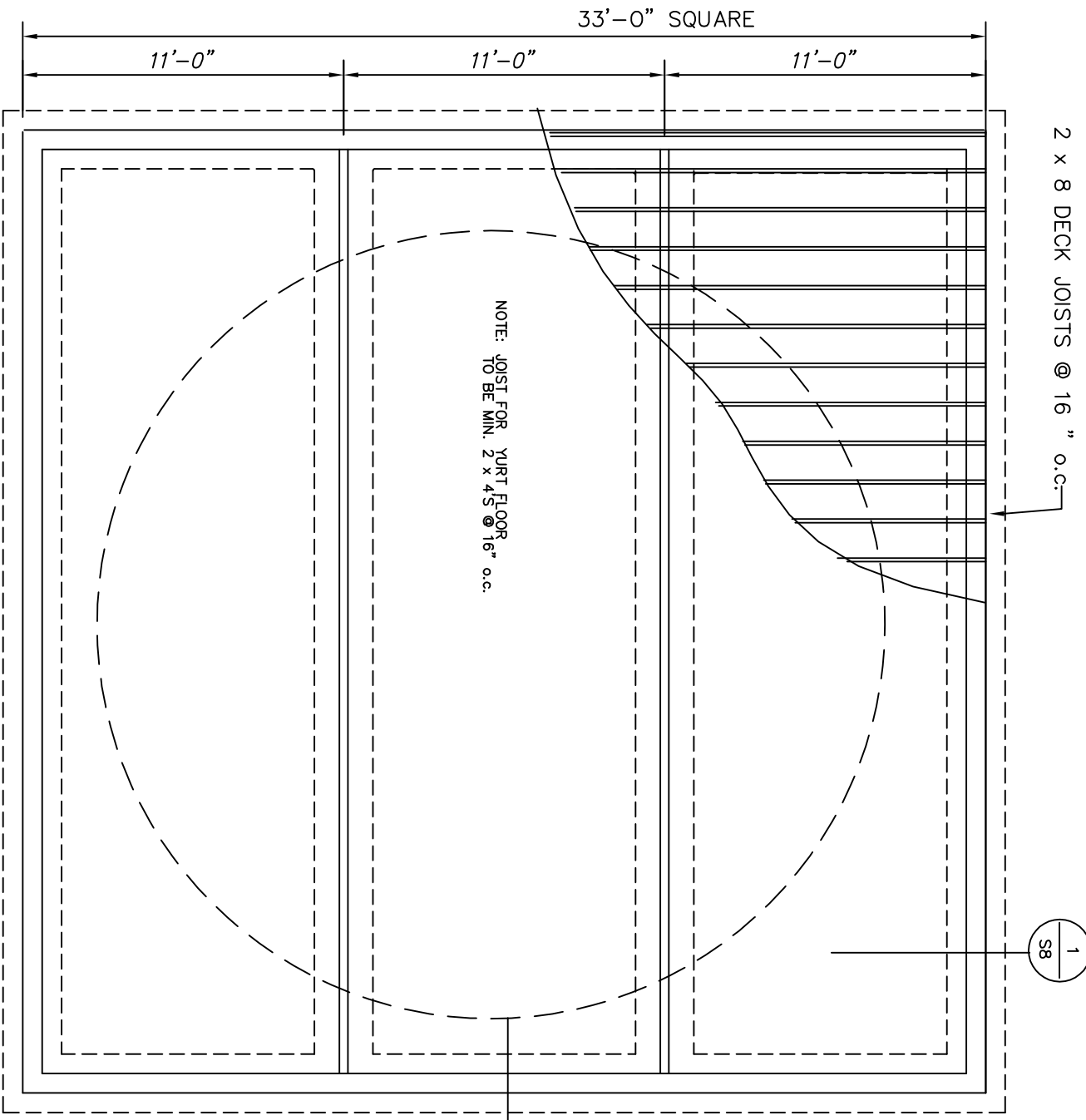
The bender board can be attached outside of the finished size of the footprint. (e.g. a 20' yurt footprint equals 20' diameter plus the thickness of the bender board.

Choose an appropriate material for your bender board. 1 X Trex fascia bd or better  
Alternative: Use pressure treated plywood, redwood or equal.

YURT ISOMETRIC SHEET #6

27' YURT ALTERNATE FOUNDATION

SHEET #7



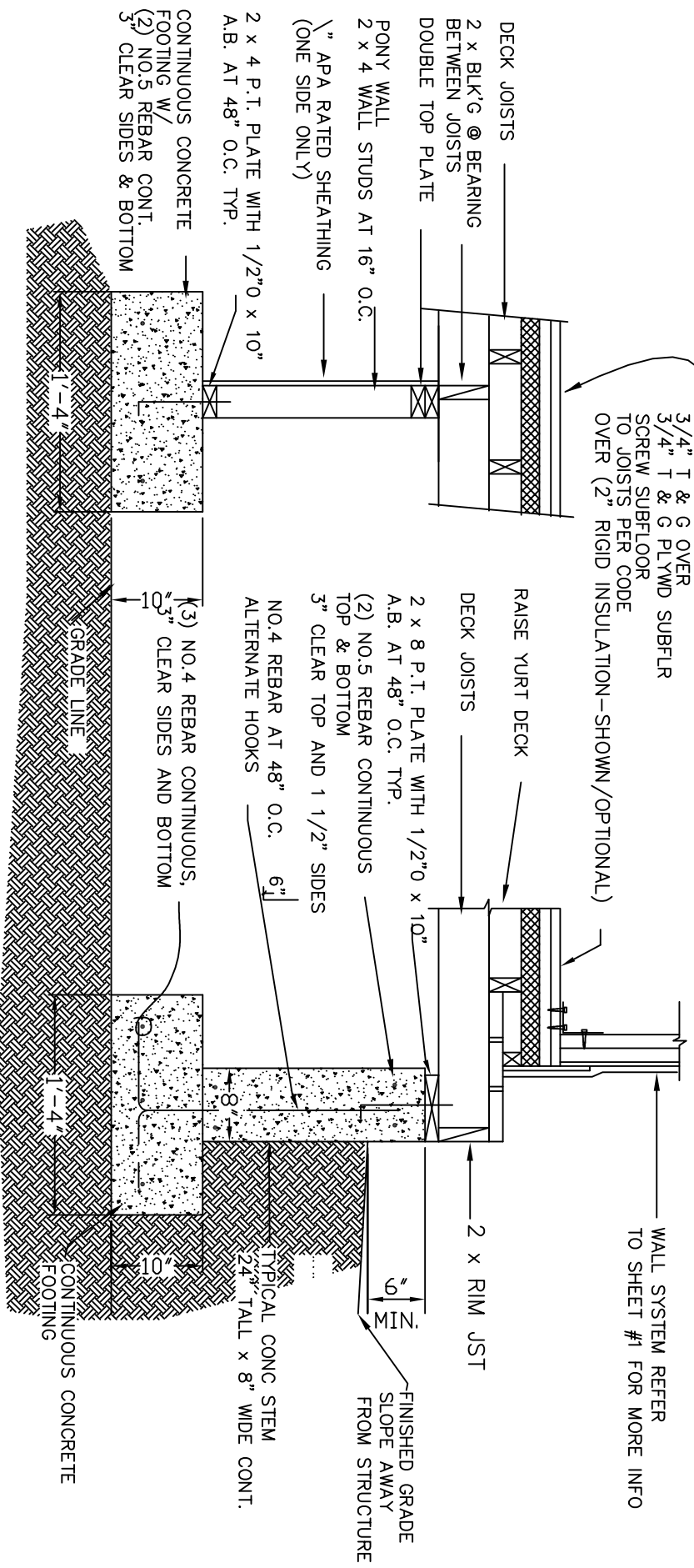
NOTE:  
° CONSULT YOUR CONSTRUCTION MANUAL FOR INSTALLATION OF WALLS, ROOF, FABRIC, LACING, DOME, & PROPER HEIGHTS OF ALL.  
° CONSULT YOUR LOCAL BUILDING DEPT FOR EXACT FROST DEPTH, SIZES OF FOOTINGS AND COLUMNS.

AA  
S1  
SIM

**NOTE:**

- CONSULT YOUR CONSTRUCTION MANUAL FOR INSTALLATION OF WALLS, ROOF, FABRIC, LACING, DOME, & PROPER HEIGHTS OF ALL.
- CONSULT YOUR LOCAL BUILDING DEPT FOR EXACT FROST DEPTH, SIZES OF FOOTINGS AND COLUMNS.

YURT FLOORING  
 INSTALL PER MFR SPEC  
 3/4" T & G OVER  
 3/4" T & G PLYWD SUBFLR  
 SCREW SUBFLOOR  
 TO JOISTS PER CODE  
 OVER (2" RIGID INSULATION—SHOWN/OPTIONAL)



1 ALTERNATE FOUNDATION DETAIL